

ESS-Container in Cold Climates

Industrikomponenter AB, INKOM

Lithium ion batteries
C 2008058816

CAUTION
9' 6.5" HIGH
8' 6" WIDE
CONTAINER

How ESS can be utilised in Cold Climates



ESS as a service for the Wind Farm



Lower cost of deicing with ESS



ESS as a backup for support system



ESS as backup for balance settlement



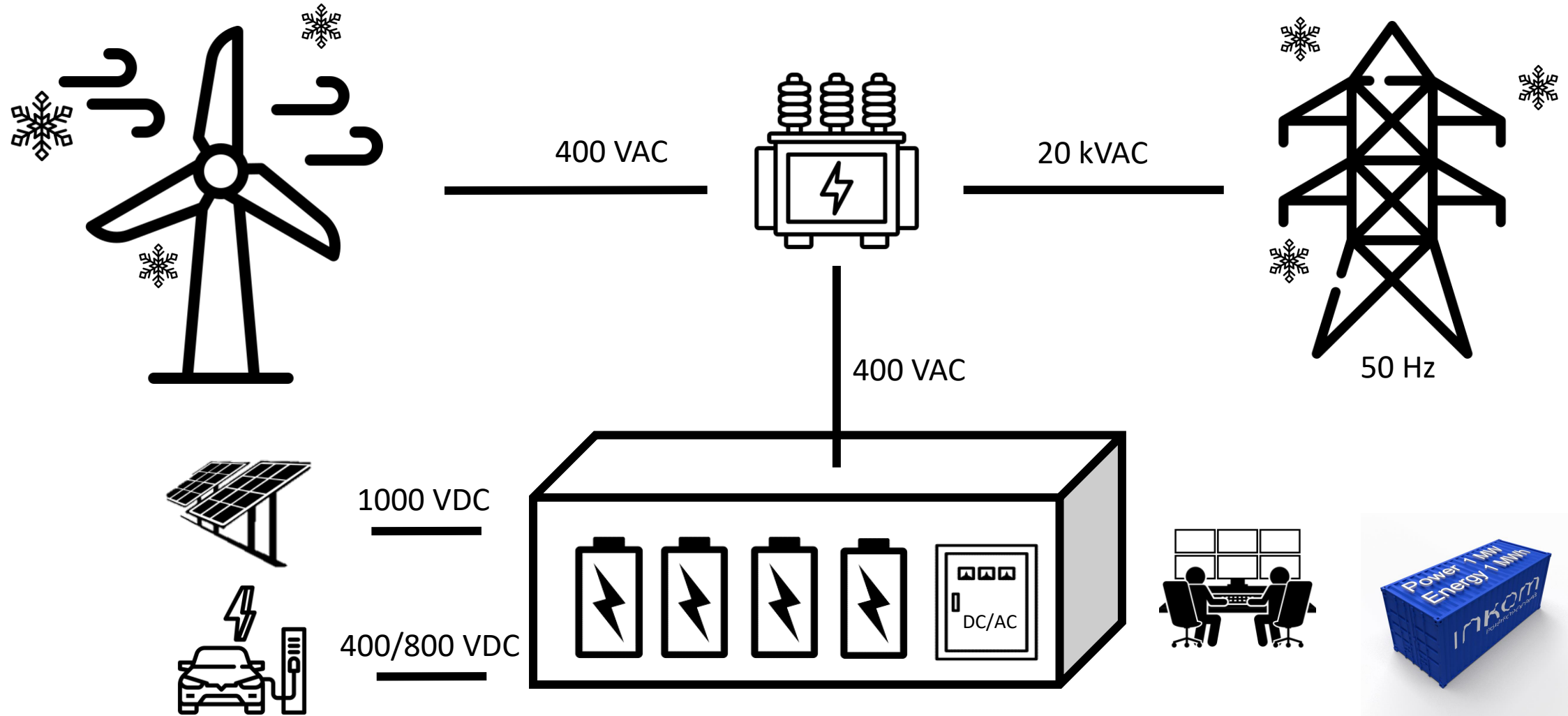
ESS to as counter force for Capture effect



ROI on ESS will increase with FCR



ESS as a service for the Wind Farm



Reduced cost of de-icing with ESS



Extra power when de-icing.



The price of electricity is higher at lower temperatures.



ESS always guarantees de-icing at power failure.



ESS as a backup for support system



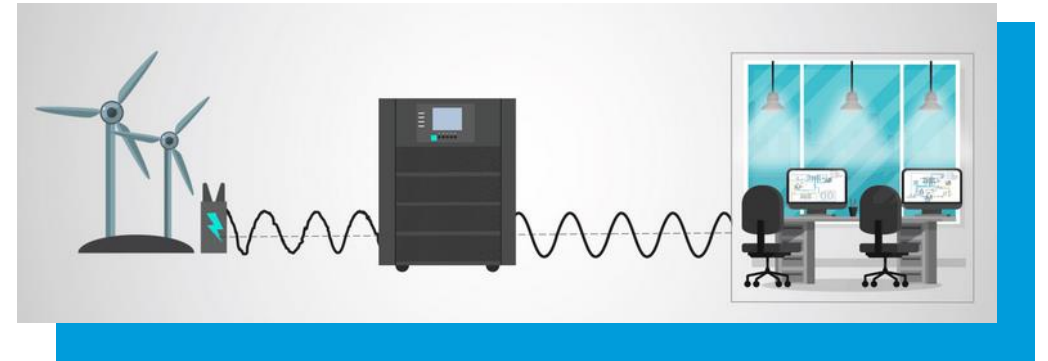
At power failure ESS will be a security guarantee (Condensation)



Self-produced-power for the Wind Farm at low temperature



ESS acts as a huge UPS for the Wind Farm and the service team



ESS as backup for Balance Settlement



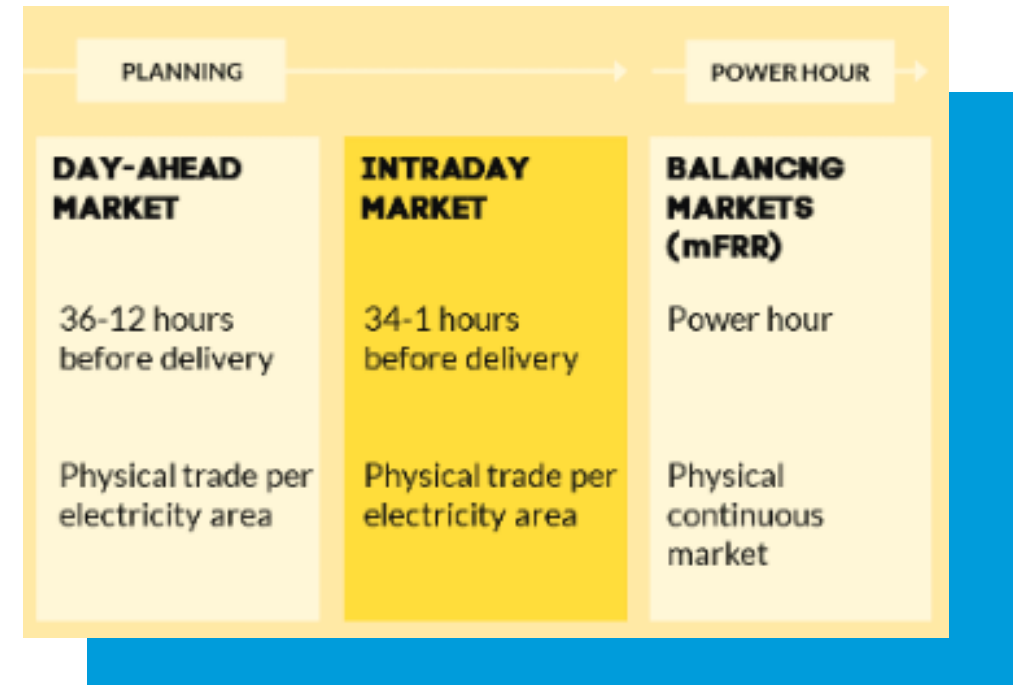
ESS used as a flexible asset for Balance Settlement



ESS gives you "head-room" for signed agreement



With an ESS, balancing can take place to fulfill the agreement



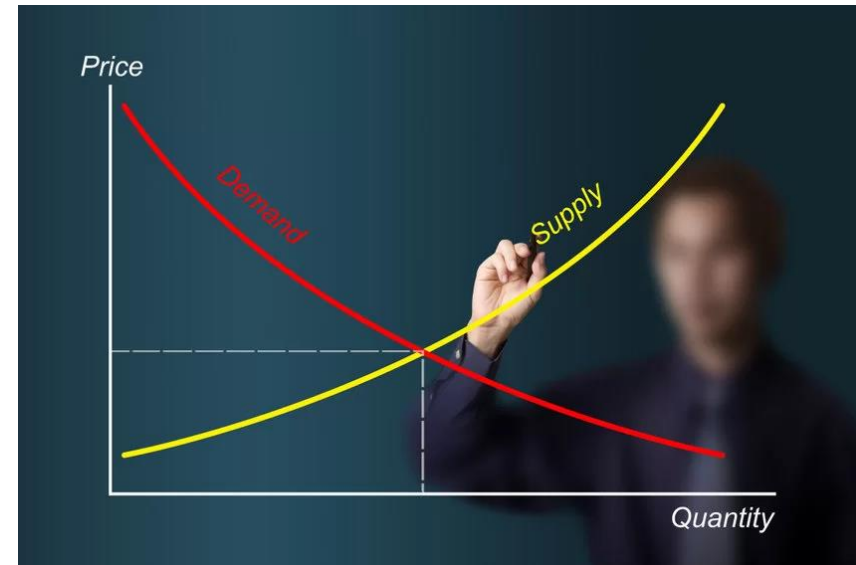
ESS as counter force for Capture effect



At high power production and low demand, ESS can store the energy



ESS lower the cause of "capture effect"



ROI on ESS will increase with FCR



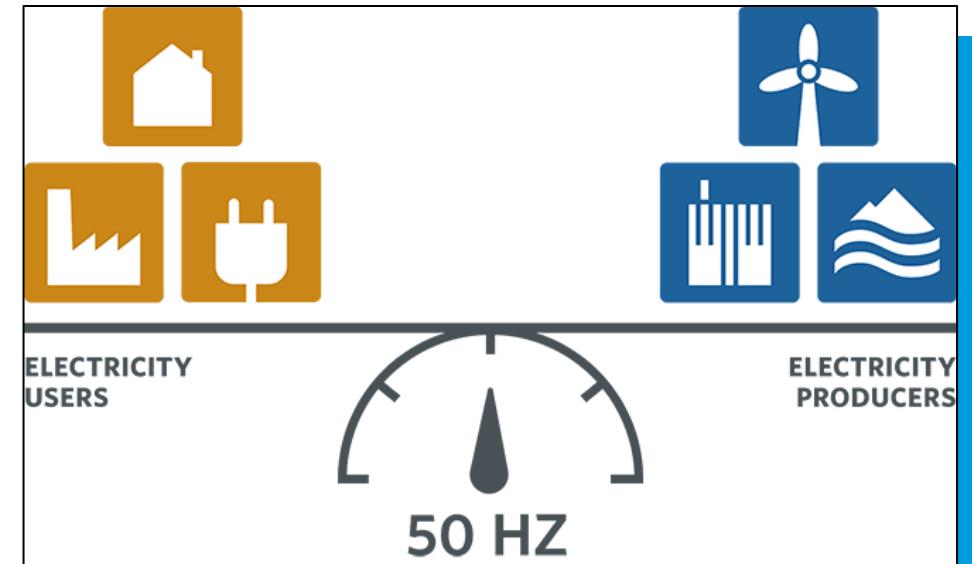
The repayment period with FCR is approximately 2 to 3 years today



In the future, ESS Cold-Climate-Revenue might surpass FCR



ESS with FCR has a lower wear and tear than arbitrage



Conclusion on ESS in Cold Climates

Risk elimination

Financial benefit

Predictability of production



Do you want to know more?



Contact us at
info@inkom.se



www.inkom.se



LI-ION BATTERY
ENERGY

STORAGE

Lithium ion batteries
C 2008058816

CAUTION

9' 6.5" HIGH
8' 6" WIDE

INKOM - Industrikomponenter AB 2023